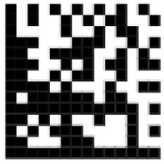
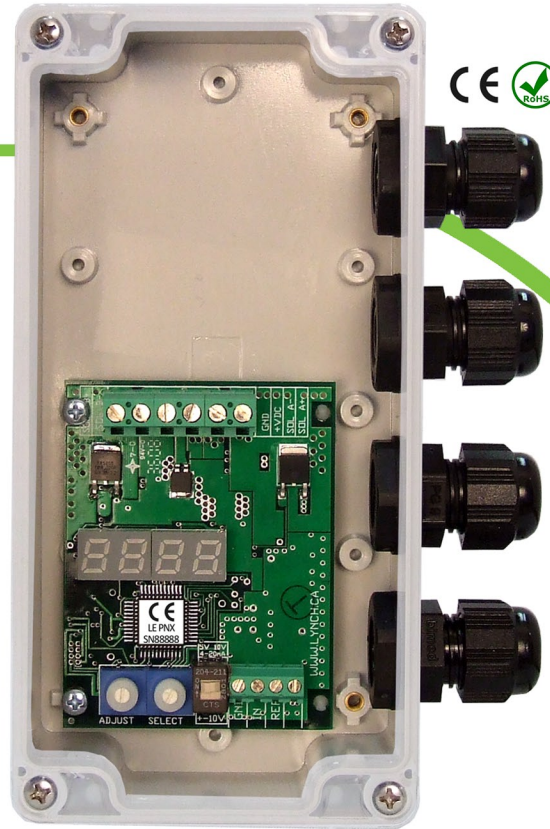


# Digital Display Proportional Valve Driver



## LE PN X

NEMA 4X Enclosure with Clear Lid



### Features and Benefits

- ▶ Microcontroller design
- ▶ Independent adjustments (Incl. ramp up & ramp down)
- ▶ 4 digit extra bright seven segment LED display
- ▶ Large, easy-to-use adjustments and readout
- ▶ Display and adjust actual values (Current & Voltage)
- ▶ Wide range of supply voltage
- ▶ User selectable input type through menu setup (ex: 0 to 5V, 0 to 10V, 4 to 20mA, -10 to +10V)
- ▶ Wide ramp time range (0 to 99.5 Sec)
- ▶ Simple control with analog input, Locally supplied reference voltage
- ▶ Energy efficient PWM circuit/no heat sink required
- ▶ Current sensing maintains output regardless of changes in supply voltage and coil resistance
- ▶ Electronic limiting circuit/short circuit proof
- ▶ Reverse polarity, Command Input protection
- ▶ Load can be connected & disconnected live
- ▶ Mounting: NEMA 4X Plastic Enclosure, PG 09 cable glands
- ▶ Easy troubleshooting/cable length not an issue

### LE PN X Standard Specifications

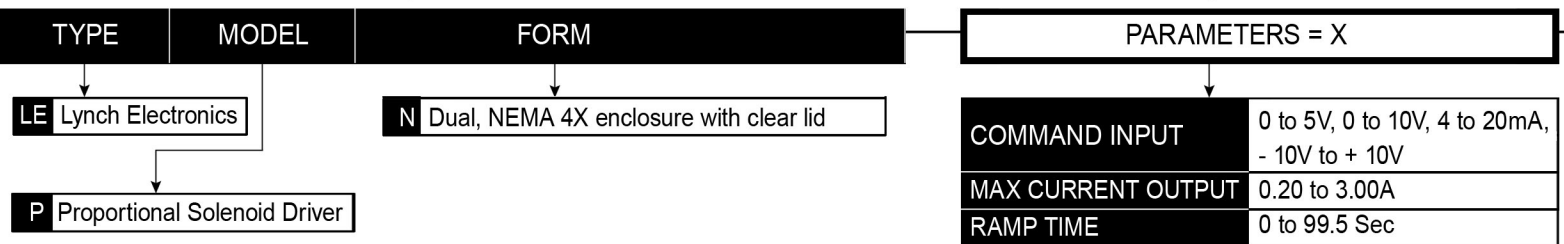
<b>Operating voltage:</b>	9 to 36 VDC
<b>Maximum output current:</b>	3.00Amps
<b>Input signal:</b>	5V, 10V, 4 to 20mA
<b>Maximum ramp time:</b>	99.5 Sec
<b>PWM / Dither frequency:</b>	40-450Hz
<b>Linearity:</b>	1%
<b>Operating Temperature:</b>	-40° to +80° Celsius
<b>Protection Grade:</b>	NEMA 4X (See note on the next page for additional information)

### Several Forms Available



Note: Customization of functionality and enclosure type are available on request.

**PART NUMBER SYSTEM** Proportional Solenoid Driver, Dual, NEMA 4X enclosure with clear lid. **Example: LE PN X**



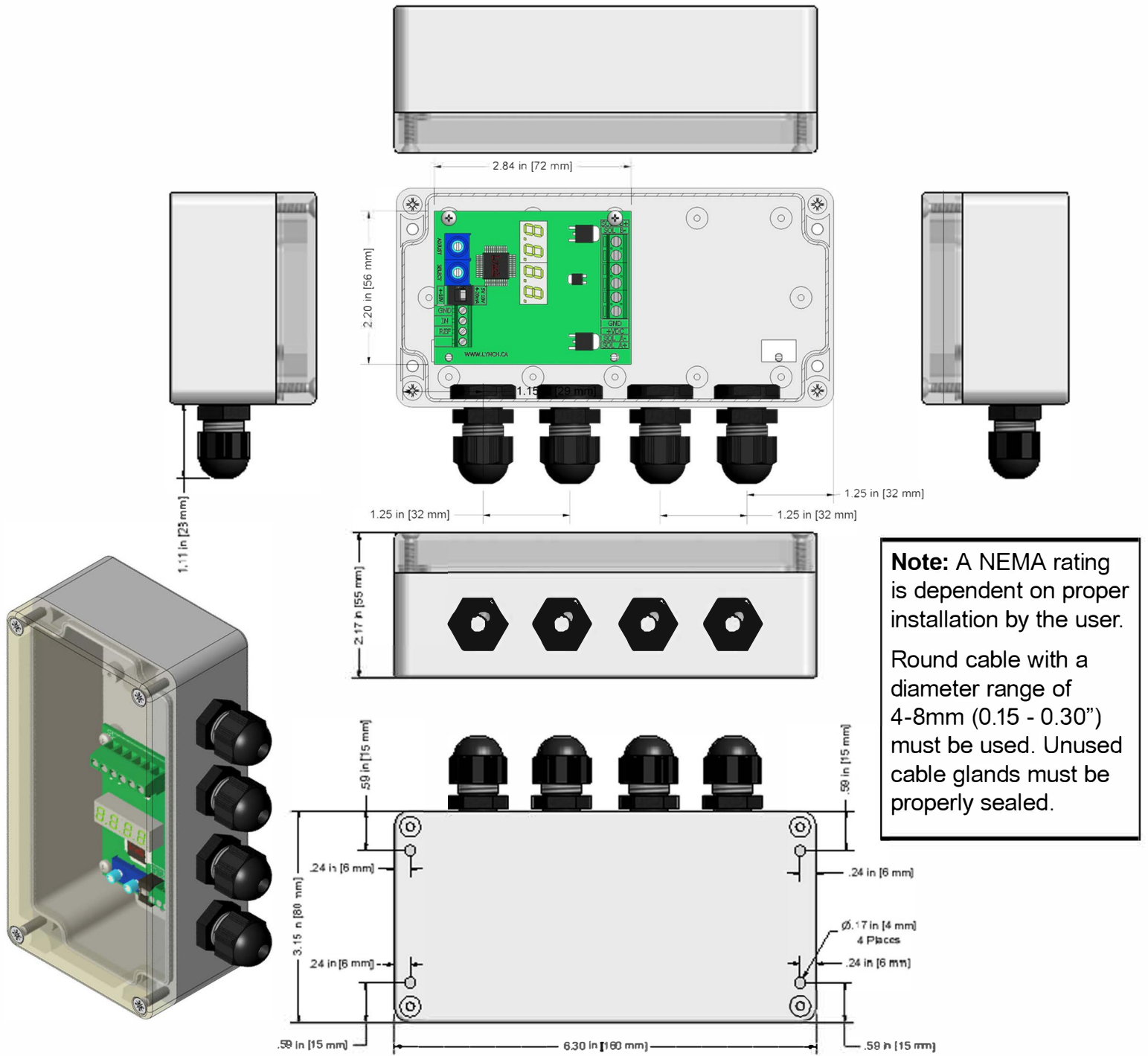
### Contact Us For More Information

<p><b>Toll Free</b> Tel: 1 (888) 626-4365 Fax: 1 (800) 263-5807</p>	<p><b>Local &amp; International</b> Tel: +1 (905) 363-2400 Fax: +1 (905) 363-1191</p>	<p><b>Canada</b> 1799 Argentia Road Mississauga, Ontario L5N 3A2</p>	<p><b>USA</b> 3790 Commerce Court, Suite 500, North Tonawanda New York, 14120</p>	<p><b>Online</b> www.Lynch.ca sales@lynch.ca</p>
---	---	--	---	--

LE PNx-0718

# LE PN X

## DIMENSIONAL DRAWING



### Contact Us For More Information

LE PN X -0718

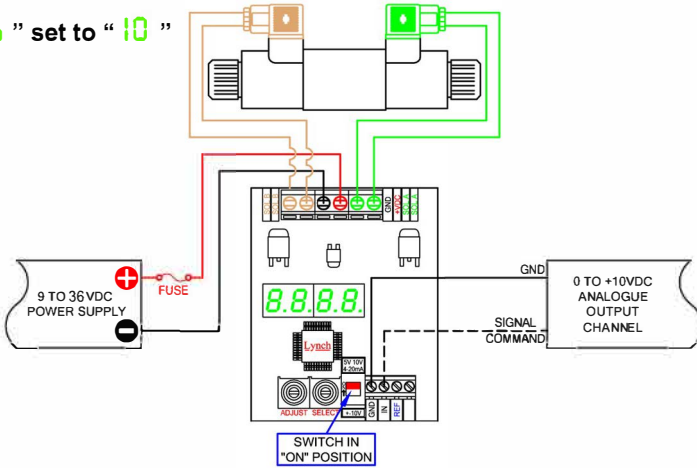
<b>Toll Free</b>	<b>Local &amp; International</b>	<b>Canada</b>	<b>USA</b>	<b>Online</b>
Tel: 1 (888) 626-4365	Tel: +1 (905) 363-2400	1799 Argentia Road	3790 Commerce Court,	<a href="http://www.Lynch.ca">www.Lynch.ca</a>
Fax: 1 (800) 263-5807	Fax: +1 (905) 363-1191	Mississauga, Ontario L5N 3A2	Suite 500, North Tonawanda	<a href="mailto:sales@lynch.ca">sales@lynch.ca</a>
			New York, 14120	

WE RESERVE THE RIGHT TO DISCONTINUE MODELS, OR CHANGE SPECIFICATIONS WITHOUT NOTICE OR INCURRING OBLIGATION

# LE PN X SCHEMATICS

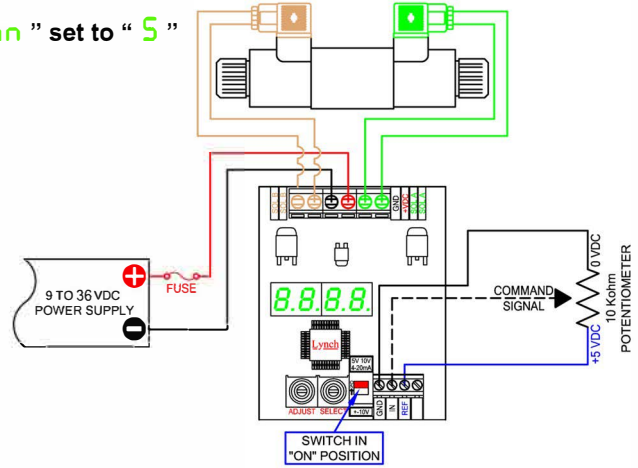
## EXTERNAL INPUT SIGNAL CONNECTION

“in” set to “10”



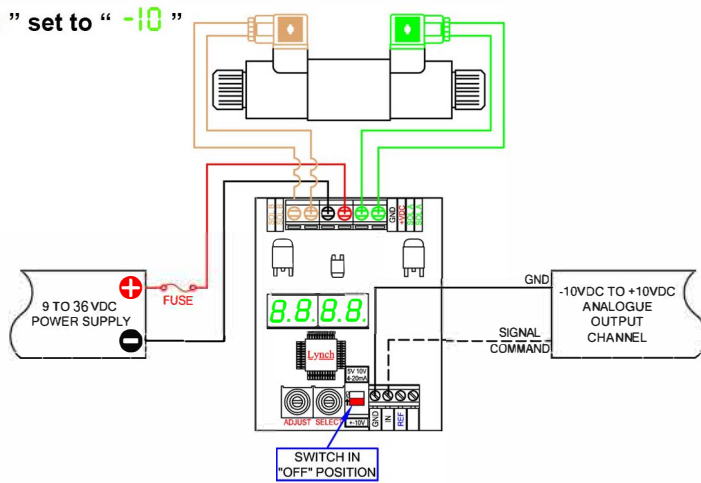
## POTENTIOMETER CONNECTION

“in” set to “5”



## EXTERNAL INPUT SIGNAL CONNECTION

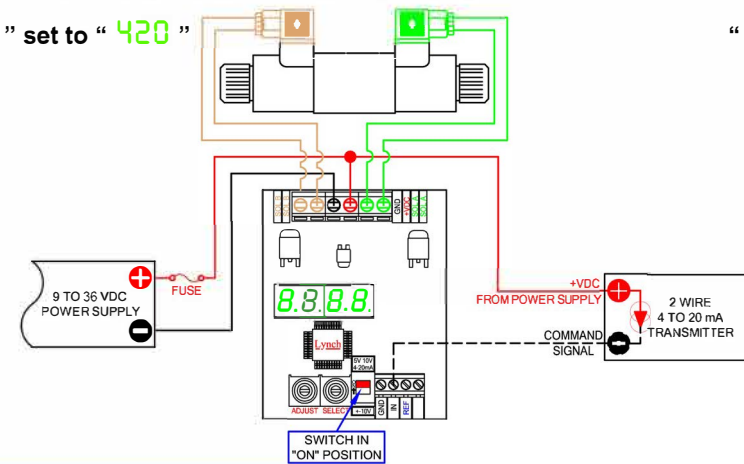
“in” set to “-10”



**PLEASE NOTE:** For “0 to 5 VDC” & “0 to 10 VDC” command input drivers, it is recommended to use independent negative conductors for power supply and analogue output channel (PLC/PC) to maintain command signal accuracy due to voltage drop on long cable runs.

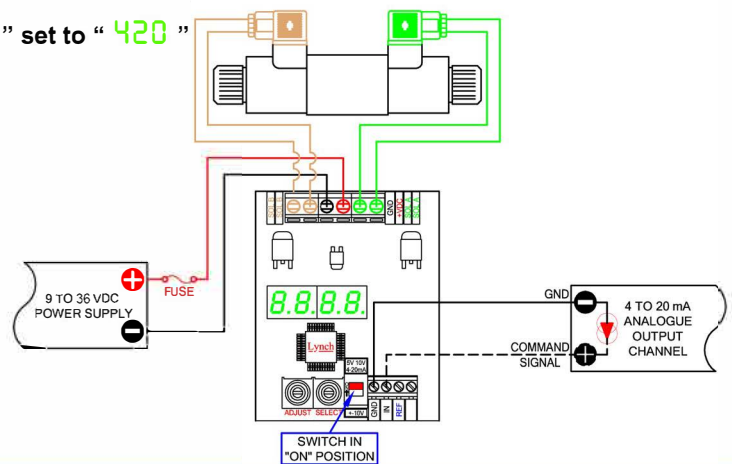
## TWO WIRE TRANSMITTER INPUT CONNECTION

“in” set to “420”



## EXTERNAL INPUT SIGNAL CONNECTION

“in” set to “420”

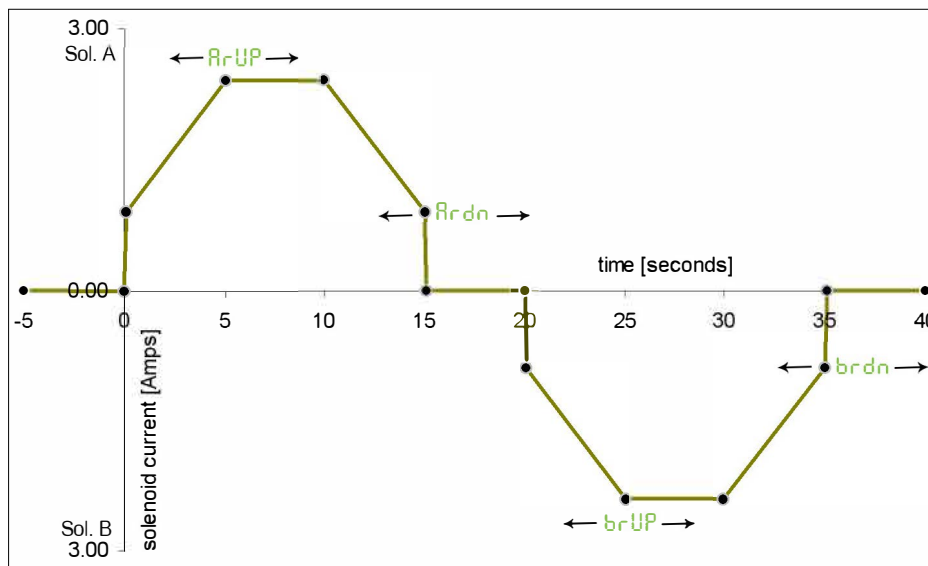
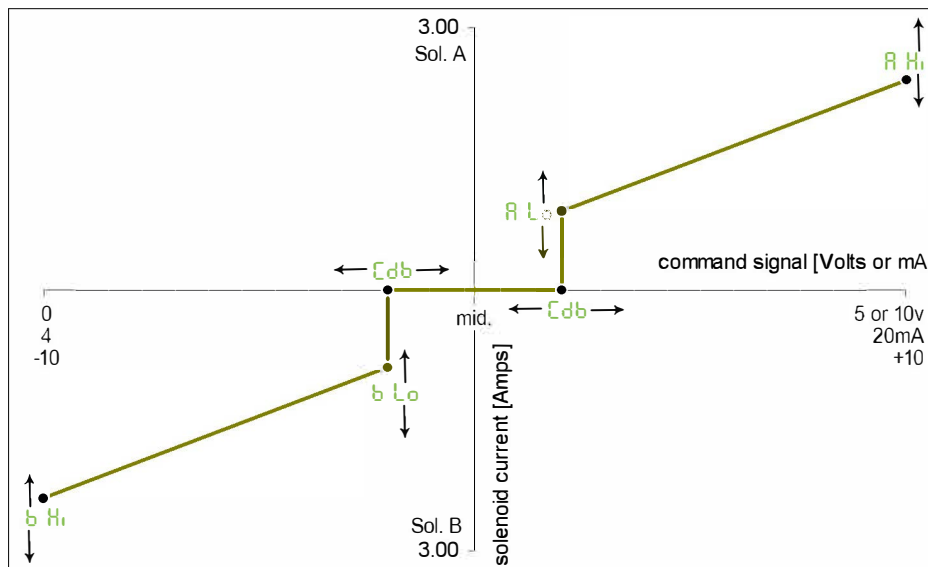


Contact Us For More Information

LE PN X-0718

<b>Toll Free</b> Tel: 1 (888) 626-4365 Fax: 1 (800) 263-5807	<b>Local &amp; International</b> Tel: +1 (905) 363-2400 Fax: +1 (905) 363-1191	<b>Canada</b> 1799 Argentia Road Mississauga, Ontario L5N 3A2	<b>USA</b> 3790 Commerce Court, Suite 500, North Tonawanda New York, 14120	<b>Online</b> <a href="http://www.Lynch.ca">www.Lynch.ca</a> <a href="mailto:sales@lynch.ca">sales@lynch.ca</a>
--	--	---	---	---

WE RESERVE THE RIGHT TO DISCONTINUE MODELS, OR CHANGE SPECIFICATIONS WITHOUT NOTICE OR INCURRING OBLIGATION



This product has been designed and tested to meet specific standards outlined in the European Electromagnetic Compatibility Directive (EMC) 2004/108/EC  
 Emission: EN 61000-6-4: 2007  
 Immunity: EN 61000-6-2: 2005, EN 61000-4-2, EN 61000-4-4, EN 61000-4-6

### Contact Us For More Information

<b>Toll Free</b> Tel: 1 (888) 626-4365 Fax: 1 (800) 263-5807	<b>Local &amp; International</b> Tel: +1 (905) 363-2400 Fax: +1 (905) 363-1191	<b>Canada</b> 1799 Argentia Road Mississauga, Ontario L5N 3A2	<b>USA</b> 3790 Commerce Court, Suite 500, North Tonawanda New York, 14120	<b>Online</b> <a href="http://www.Lynch.ca">www.Lynch.ca</a> sales@lynch.ca
--	--	---	---	---

LE PN X-0718

## LE PN X

### SET-UP PROCEDURE

A Division of Lynch Fluid Controls

(NOTE: Prior to setting up parameters, you must select proper Input Signal setting for your system)

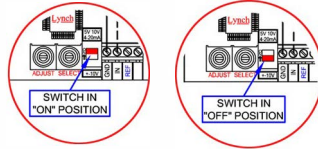
Available Input Signal options for Dual Solenoid Proportional Drivers

DIP Switch in ON/UP position

in: **10** (0 to 10V) <=Default

in: **5** (0 to 5V)

in: **420** (4 to 20mA)



DIP Switch in OFF/DOWN position

in: **-10** (-10 to +10V) \*Requires change in DIP switch setting to down position

\*\*\*Applying improper Input Signal to wrong setting on the Driver may be damaging to Driver Unit and may cause driver to fault to Error Status mode\*\*\*

#### SET-UP

- At power up, the display will show either the output current signal or the input signal (Default display setting shows the output signal). The decimal point will be flashing.
- Rotate SELECT to enter the set-up mode
- When you reach the setting you want to modify, rotate ADJUST up or down to the desired value.
- To modify another setting, rotate SELECT again and repeat.
- The Driver is fully functional during the set-up procedure with any adjustments effective immediately.
- In order to write the new settings in the memory and return to normal mode of operation, rotate SELECT until the display shows **SR** and then rotate ADJUST or wait for 100 seconds.
- If you do not want to save the new settings you have just modified, you must disconnect the Driver from the power supply before the end of the 100 seconds to restore the previous settings.
- After saving parameters to memory, the decimal point will be flashing and the Driver display will be back showing either the output current signal or input signal depending on your **di** selection.
- To start over completely, you can restore the factory settings by rotating SELECT to **rFP** and then rotate ADJUST up past 10 for the display to reset. (NOTE for Step 9: You may have to adjust your Input Signal Setting again if you reset to factory settings.)

### SETTINGS & RANGE

- R Hi:** Solenoid A HIGH, Maximum Current Output, **0.20** to **3.00** [Amps]
- R Lo:** Solenoid A LOW, Minimum Current Output, **0.00** to **2.99** [Amps] (See: NOTE 1)
- RrUP:** Solenoid A RAMP UP, Time for Output to Increase from min to max, **0.0** to **99.5** [SEC]
- Rrdn:** Solenoid A RAMP DOWN, Time for Output to decrease from max to min, **0.0** to **99.5** [SEC]
- b Hi:** Solenoid B HIGH, Maximum Current Output, **0.20** to **3.00** [Amps]
- b Lo:** Solenoid B LOW, Minimum Current Output **0.00** to **2.99** [Amps] (See: NOTE 1)
- brUP:** Solenoid B RAMP UP, Time for Output to Increase from min to max, **0.0** to **99.5** [SEC]
- brdn:** Solenoid B RAMP DOWN, Time for Output to decrease from max to min, **0.0** to **99.5** [SEC]
- Cdb:** COMMAND DEADBAND, Output disabled if command signal less than deadband, **0** to **5** [%]
- JC:** JOYSTICK CALIBRATION / INPUT OFFSET COMPENSATION, Adjusts the midpoint between solenoid A and B  
Midpoint at 50%, Range from **40** to **50** to **60** [%]
- dFr:** DITHER FREQUENCY, **40** (40Hz) to **450** (450Hz)
- in: INPUT SIGNAL SELECTION, **5** (0 to 5V) or **10** (0 to 10V) or **420** (4 to 20mA) or **-10** (-10 to +10V)  
\*\*Requires to change setting of Input DIP SWITCH\*\*
- di: DISPLAYED SIGNAL FOR TROUBLESHOOTING **0** (command signal in [Volts] or [milliAmps]) or **1** (solenoid current in [Amps])  
\*\*Flashing decimal point is an indicator for present display mode\*\*  
- Fast Flashing decimal point, several flashes per second indicates **di = 0**  
- Slow Flashing decimal point, 1 per second indicates **di = 1**  
- No Flashing decimal point or No decimal point indicates display in SETTING/ADJUST mode
- SR:** SAVE SETTINGS
- rFP:** RESET FACTORY PARAMETERS (See: NOTE 2)
- Err:** ERROR DETECTION STATE, has 3 states  
Error 0 - No Errors  
Error 1 - Overcurrent in driver likely due to short circuit in Solenoid  
Error 2 - Current exceeding 20mA in "4 to 20mA" input mode
- CLr:** CLEAR ERROR, Clears Driver of Error State (See: NOTE 2)

**NOTE 1:** When adjusting the HI and LO parameters note the HI parameter value cannot be adjusted below the LO parameter value as well the LO parameter value cannot exceed the HI parameter value.

**NOTE 2:** Adjust Parameter Value up past 9 to operate this command setting

### OPTIONAL FEATURES (Please contact us for more information)

- Pcd:** PASSWORD, Adjust code for Password Protection settings for Lock or Unlock
- Loc:** LOCK, Locks driver to LOCKED state with Password set in **Pcd**
- UnL:** UNLOCK, Unlocks driver with correct Password set in **Pcd**  
\*\*Only available in LOCKED state mode\*\*